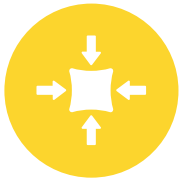




# PICK & SPRAY

## BOND-COAT SPRAYER



### COMPACTNESS

- Working width from 0.2 m to 3.20 m
- Integrated pump
- Access to restricted areas



### ECONOMY

- Tank insulation with rockwool layer with high density: less energy needed to heat and maintain temperature
- Reduced loading time: 4 minutes to charge the tank



### VERSATILITY

- Can be fitted on trucks, trailers, tractors, pick-up trucks
- Emulsion spraying by hand lance or spraybar
- Designed for small jobsites using bitumen emulsion, small maintenance jobs, work in private yards



### SIMPLICITY

- Standard tank: can be quickly and easily fitted to different machines
- Attachment easy to remove and stock
- Easy to use



### SECURITY

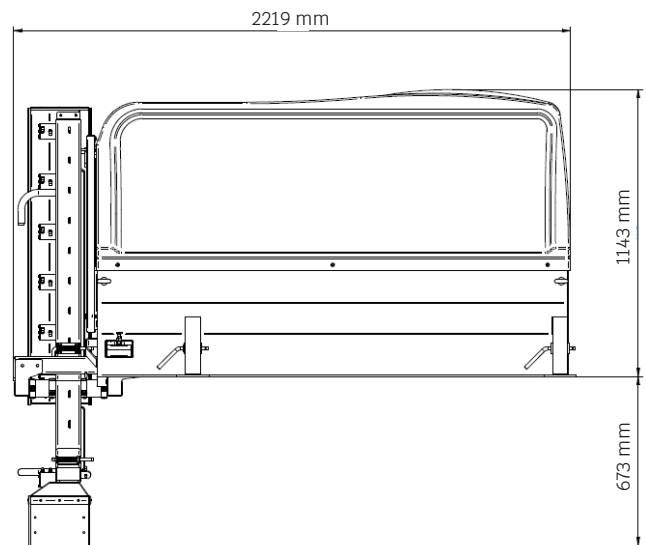
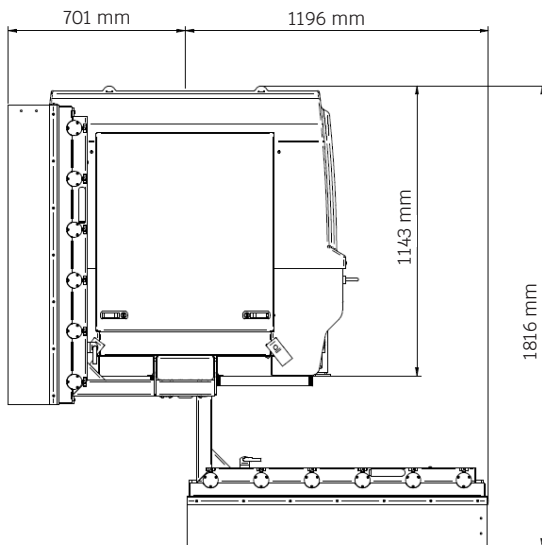
- Integral fairing to reduce noise and professional risks
- Binder circuit emptying by sucking and return to the tank, no waste on the ground



### RELIABILITY

- Your PICK & SPRAY project is developed, designed and produced in our factory in Cossé le Vivien 53 France
- Components selected for their resistance and their simplicity of repair

# TECHNICAL SPECIFICATIONS



MORE VIDEOS OF  
OUR PRODUCTS  
ON OUR YOUTUBE  
CHANNEL

<b>Emulsion tank</b>	600 L with 50 mm insulation
<b>Temperature maintenance</b>	6 kW heating blankets (triphased AC supply)
<b>Heating time</b>	10°C/h (full tank)
<b>Emulsion pump</b>	Max. flow 150 L/min driven by hydraulic motor (electric warming)
<b>Emulsion loading</b>	By suction, 4 min for 600 L
<b>Spraybar</b>	12 nozzles, air controlled
<b>Application rate range</b>	From 200 g/m <sup>2</sup> to 500 g/m <sup>2</sup> at 5 km/h
<b>Manual application</b>	Hand spraying lance with 15 meter winder
<b>Engine</b>	Honda G 200 - 4,1 kW
<b>Air compressor</b>	80 L/min (12 V DC supply)
<b>Electrical Power needed (to be provided by the career)</b>	600 W (12 V DC - 60 A)
<b>Weight</b>	620 kg



SECMAIR - Rue Auguste et Louis Lumière - 53230 Cossé-Le-Vivien  
Tel. +33 (0)2 43 98 27 76 - Fax +33(0)2 43 98 86 49  
info@secmair.fayat.com - secmair.fayat.com

