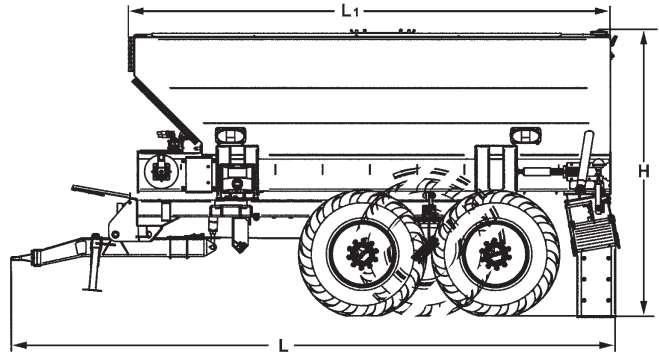
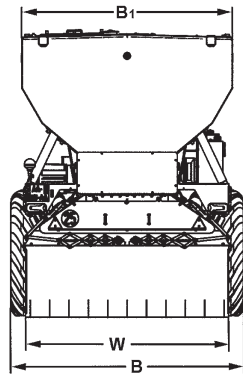


# TECHNICAL DATA

TOWED SPREADER

BS 10, BS 16





**Standard equipment**

- Tyres with Ø 1,650 mm and width 650 mm (BS 10)
- Tyres with Ø 1,450 mm and width 650 mm (BS 16)
- Spring-loaded bogie axle (oscillating unit) (BS 16)
- Spring-loaded steering rod (BS 16)
- Hydraulically-controlled brake
- LED rear and brake lights
- Speed-dependent dosage
- Radar sensor for speed detection
- 2 LED working head lights at the rear
- Compressed air filling from left and right
- Variable working width
- Towing coupling  
Rockinger Ø 40 mm

**Dimensions in mm**

	B	B1	H	L	L1	W
<b>BS 10</b>	2760	2500	3320	5640	3810	2400
<b>BS 16</b>	2760	2500	3400	7220	5650	2400

**Technical data**

	<b>BOMAG BS 10</b>	<b>BOMAG BS 16</b>
Type .....	Towed spreader bottom	Towed spreader bottom
Attachment .....		
Capacity .....	10 m <sup>3</sup>	16
Output* .....	5 to 50 kg/m <sup>2</sup>	5 to 50
Working width .....	1 / 1.5 / 2 / 2.4 m	1 / 1.5 / 2 / 2.4
Weight (empty) .....	5,960 kg	8,800
Permissible total weight .....	15,960 kg	24,880
Nose weight – tank empty .....	620 kg	1,100
Nose weight – tank full .....	1,421 kg	3,570
Permissible transport speed .....	25 km/h	25
Tyre type .....	650/60 R34.5	650/65 R26.5
Number of axles .....	1	2
Drive speed of propshaft .....	540 min <sup>-1</sup>	540

\* Crawling gear required

**Optional equipment**

- Weighing plate for dosage control
- Electronic weighing device
- Towing coupling K80 (Scharmüller)
- Towing coupling  
Rockinger Ø 50 mm
- Pneumatic brake system
- Device for Big Bag or silo filling from above
- Pneumatic compressor  
1,200 l – 8 bar, for cleaning
- Pneumatic compressor  
8,000 l – 2 bar, for filling
- High-pressure cleaner (BS 16)
- Water tank for high-pressure cleaner (BS 16)
- Filter System „Bag filter“
- Filter System „Cylinder filter“ (self-cleaning)

